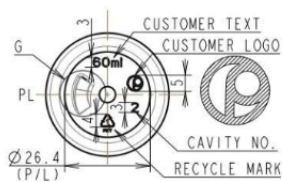
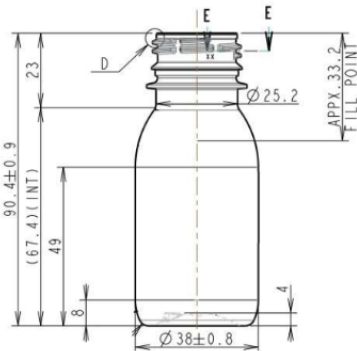


Bobby 60 (SPCO)



General info

Item no. (SKU):	
Family / Range:	MISC
Capacity:	60ml
Neck:	Short PCO
Weight:	10
Shape:	Round
Material:	PET
Colour:	All Colours Available
Print Areas:	
Country of Origin:	Lithuania

Packaging Info

Packed in Boxes

Box Dimensions (mm):	594 x 394 x 448
Quantity per box (pcs):	800
Boxes per pallet (pcs):	20
Quantity per pallet (pcs):	16000
Net weight (kg):	160
Gross weight (kg):	190
Pallet height (mm):	2400

Packed in PE bags on trays (Half pallet)

Tray dimensions (mm):	1200 x 800 x 50
Quantity per tray (pcs):	640
Quantity per PE bag (pcs):	160
PE bags per tray (pcs):	4
Trays per pallet (pcs):	12
Quantity per pallet (pcs):	7680
Net weight (kg):	77
Gross weight (kg):	90
Pallet height (mm):	1200

Food contact statement

We hereby confirm that this product complies with the requirements of the European legislation (EU) no 10/2011 and all its amendments for plastics used in contact with food

Storage

Please be aware that these products are handled and stored correctly in order to ensure the safety and quality of our products. When storing this product, please avoid excessive force and storage above 40 degrees Celsius (86 degrees Fahrenheit)